



Model MIM100

100 Lb. Ice Maker - Self Contained



Model MIM100



The MIM100 produces up to 106 pounds of ice per day and includes a self-contained 35 pound storage bin. Stainless steel construction provides durability to a unit that is low-maintenance and easy to clean. The unit produces crystal clear bullet shaped ice cubes that work great for applications in homes, restaurants, bars, hotels, grocery stores, and more. Suitable for freestanding or built in applications, this unit will run on standard household electrical current and is NSF and UL approved for commercial use.

Maxx Ice's continuing commitment to quality products may mean a change in specification or pricing without notice.

Project Name:	
Location:	
Item:	Qty:
Model:	

FEATURE LIST	
Model:	MIM100
Description:	Maxx Ice 100lb Ice Maker
Voltage:	120V/60Hz/1Ph, 220V/50Hz/1Ph
Ice Type:	Individual Bullet
Ice Cube Size:	1 1/4" x 1 1/4" x 1 1/4" 32mm x 32mm x 32mm
Power Consumption:	11.1kWh / 100lbs of ice
High/Low Side Pressure:	320psig / 120psig
Unit Weight:	106 lb / 48 kg
Unit Dimensions:	22 1/8" W x 21 3/8" D x 32 1/2" H 561mm W x 541mm D x 826mm H
Shipping Weight:	127 lb / 57.5 kg
Shipping Dimensions:	26" W x 26" D x 35" H 660mm W x 660mm D x 889mm H

MAXX ICE

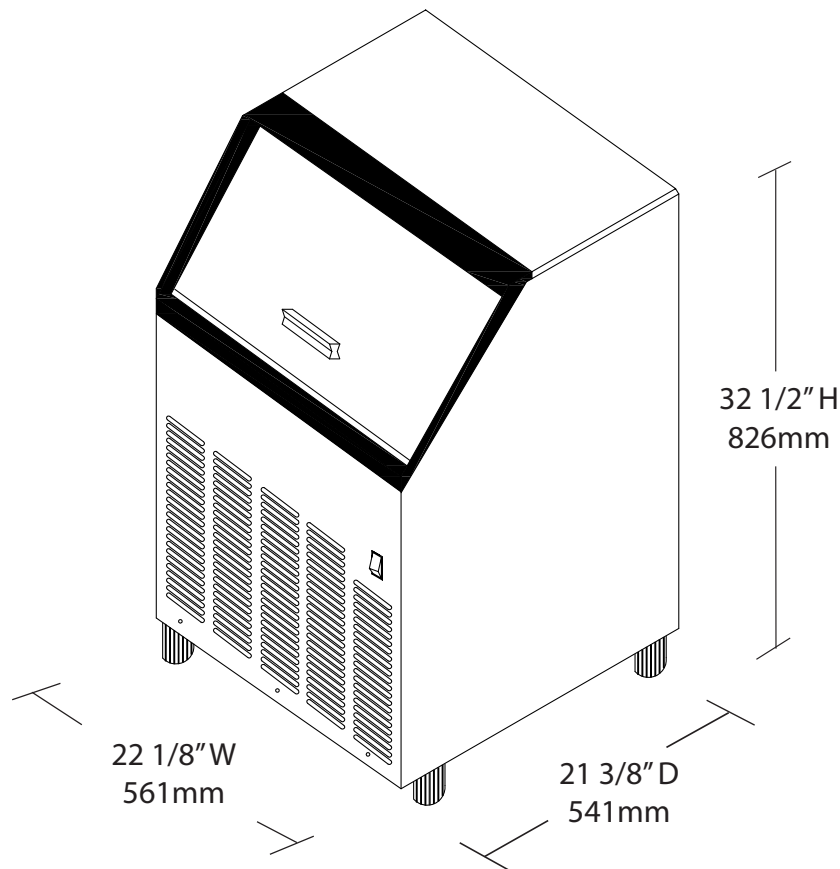
3355 Enterprise Avenue Fort Lauderdale, FL 33331
Tel: 954.202.7336 www.thelegacycompanies.com



MAXX ICE

Model MIM100

PLAN VIEW



- Up to 106 lb (48 kg) daily ice production (based on 50/70° F)
- Produces crystal clear bullet shaped ice cubes
- Stainless steel exterior
- 35lb storage bin with automatic overflow prevention
- Foamed in place insulation
- Air-cooled condenser
- Designed for household or commercial use
- For freestanding or built-in applications
- Requires use of a drain. Water filter recommended.



MAXX ICE

3355 Enterprise Avenue Fort Lauderdale, FL 33331
Tel: 954.202.7336 www.thelegacycompanies.com