



Model MIB400

400 Lb. Ice Storage Bin



Model MIB400



The MIB400 is a durable ice storage bin that holds up to 430 pounds of ice. A foamed in place insulation design paired with a poly liner results in long-lasting ice. The ice bin features all stainless steel construction and an easily accessible hinged door.

Maxx Ice's continuing commitment to quality products may mean a change in specification or pricing without notice.

Project Name:	
Location:	
Item:	Qty:
Model:	

FEATURE LIST	
Model:	MIB400
Description:	Maxx Ice 400lb Ice Storage Bin
Unit Dimensions:	30" W x 31 1/2" D x 40" H 762mm W x 800mm D x 1016mm H
Shipping Weight:	163 lb / 74 kg
Shipping Dimensions:	32" W x 33" D x 36" H 813mm W x 838mm D x 914mm H

MAXX ICE

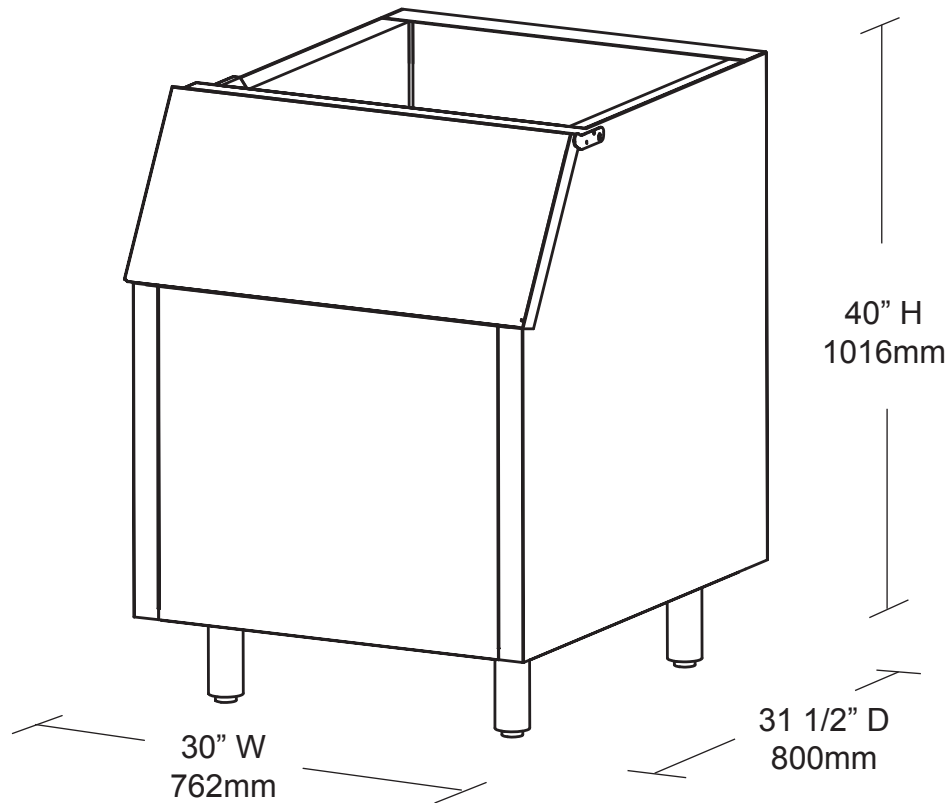
3355 Enterprise Avenue Fort Lauderdale, FL 33331
Tel: 954.202.7336 www.thelegacycompanies.com



MAXX ICE

Model MIB400

PLAN VIEW



- Stores up to 430lb (195 kg) of ice
- Poly liner for increased insulation
- Stainless steel exterior
- 6" Adjustable stainless steel legs
- CFC Free foamed in place insulation
- Easily accessible tainless steel door
- Designed for commercial use
- For use with modular ice makers
- Requires use of a drain



MAXX ICE

3355 Enterprise Avenue Fort Lauderdale, FL 33331
Tel: 954.202.7336 www.thelegacycompanies.com