



# Model MIB400

Project Name:	
Location:	
Item:	Qty:
Model:	

## Ice Storage Bin



Model MIB400

### FEATURE LIST

Model:	MIB400
Description:	Ice Storage Bin
Unit Dimensions:	30" W x 31 1/2" D x 40" H 762mm W x 800mm D x 1016mm H
Shipping Weight:	163 lb / 74 kg
Shipping Dimensions:	32" W x 33" D x 36" H 813mm W x 838mm D x 914mm H



The MIB400 is a durable ice storage bin that holds up to 430 pounds of ice. A foamed in place insulation design paired with a poly liner results in long-lasting ice. The ice bin features all stainless steel construction and an easily accessible hinged door.

Maxx Ice's continuing commitment to quality products may mean a change in specification or pricing without notice.

### MAXX ICE

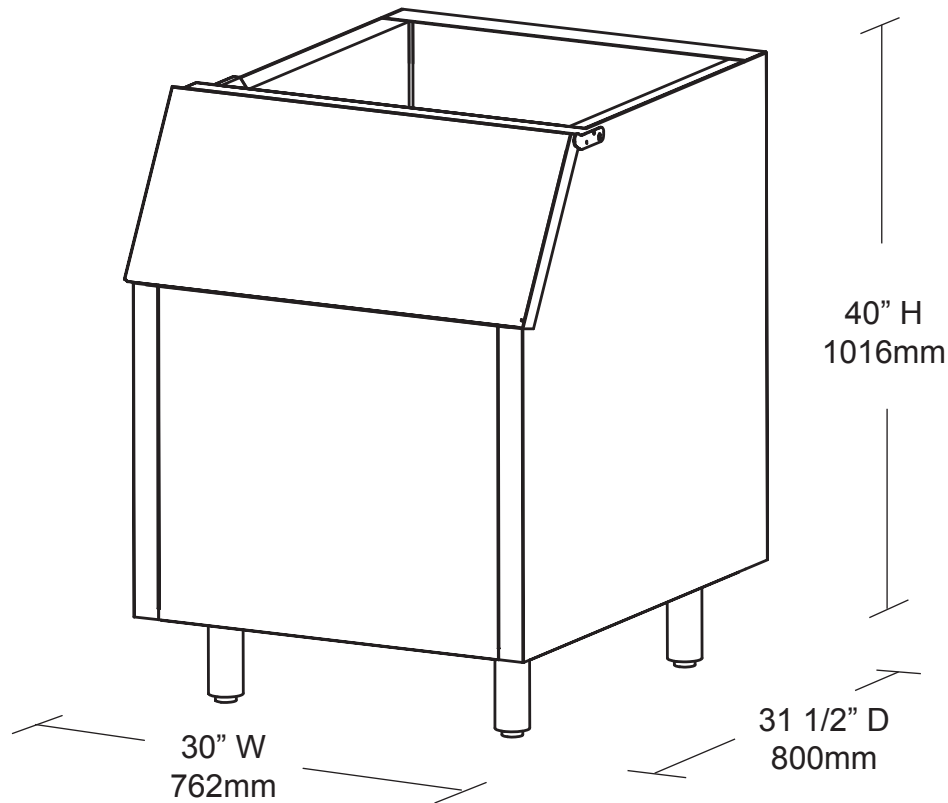
3355 Enterprise Avenue Fort Lauderdale, FL 33331  
Tel: 954.202.7336 [www.thelegacycompanies.com](http://www.thelegacycompanies.com)



# MAXX ICE

## Model MIB400

### PLAN VIEW



- Stores up to 430lb (195 kg) of ice
- Poly liner for increased insulation
- Stainless steel exterior
- 6" Adjustable stainless steel legs
- CFC Free foamed in place insulation
- Easily accessible stainless steel door
- Designed for commercial use
- For use with all standard 30-inch modular ice makers
- Requires use of a drain



**MAXX ICE**

3355 Enterprise Avenue Fort Lauderdale, FL 33331  
Tel: 954.202.7336 [www.thelegacycompanies.com](http://www.thelegacycompanies.com)